

## QUICK SPECS

Weight	2,348 lbs
Horsepower	10.3 HP
Max Dig Depth	5'4"

# Excellent performance in a small package.

YANMAR's SV08-1D, our 1-ton class mini excavator, is powered by a 10.3 HP Tier 4 Final engine. It is our smallest ultra-tight tail mini excavator best for use in indoor renovation, pipe-laying, landscaping and other challenging hard-to-reach spaces. It comes with YANMAR's unique adjustable width tracks and foldable blade allowing you to navigate through tight gaps as narrow as 2ft 3in. Plus, the eco-friendly, ultra-low noise engine is ideal for work in residential areas.

## INNOVATIVE FEATURES



### Adjustable Width Tracks To Maneuver Almost Anywhere

The track width of the SV08-1D narrows to 2ft-3in (680 mm) to fit through narrow passages, and expands to 2ft-9in (840 mm) for stability while working. In addition, the super compact body features an ultra-tight turning radius of 2ft-5in (725 mm), and keeps rear overhang to just 1 ft. (305 mm).



### Easy Accessibility For Routine Maintenance

The engine is conveniently located right under the operator's seat. Simply lift and fold the seat back for quick, easy access to all major components. Routine maintenance is always a breeze.



### Foldable ROPS

The durable, foldable ROPS system helps protect the operator from injury and folds down to allow passage through spaces as tight as a standard doorway.



## SV08-1D

**POWERFUL, EFFICIENT  
10.3 HP TIER 4 FINAL  
DIESEL ENGINE**

**TWO-WAY CONTROL  
PATTERN CHANGE**

**STANDARD AUXILIARY  
HYDRAULICS WITH  
PROPORTIONAL  
CONTROL STANDARD**

**RETRACTABLE  
UNDERCARRIAGE**

**OPERATOR-FRIENDLY  
INTUITIVE LEVER  
CONTROLS**

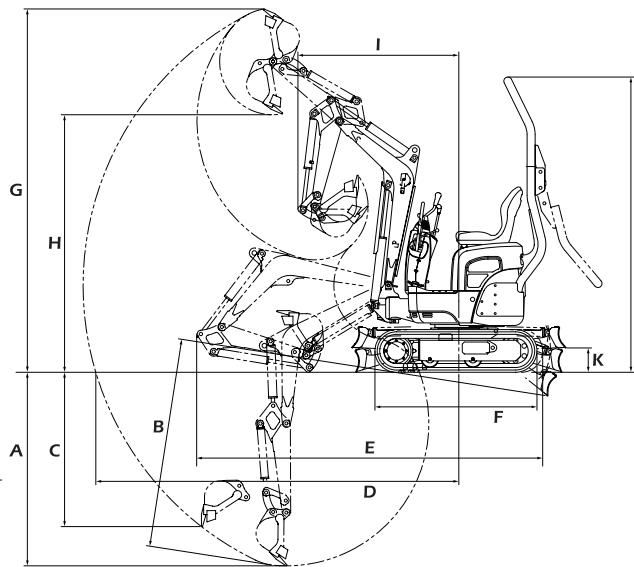
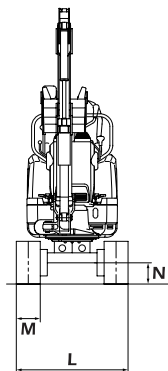
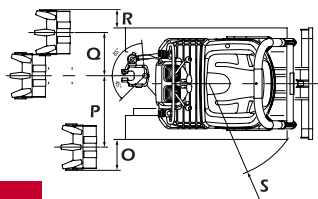
**COMFORTABLE,  
ADJUSTABLE  
OPERATOR SEAT**

**PROTECTED BOOM  
CYLINDERS AND  
HYDRAULIC HOSES**

**5.2 GPM AUXILIARY  
HYDRAULICS**



# SV08-1D



## Dimensions - SV08-1D

<b>A</b> 4'7"-4'11" (1,400-1,500)	<b>K</b> 7'-11" (180-280)
<b>B</b> 5'-5'4" (1,520-1,620)	<b>L</b> 2'3"-2'9" (680-840)
<b>C</b> 3'10"-4'2" (1,160-1,260)	<b>M</b> 7" (180)
<b>D</b> 8'10"-8'11" (2,700-2,730)	<b>N</b> 5" (130)
<b>E</b> 8'6" (2,600)	<b>O</b> 9'-1" (230-310)
<b>F</b> 4" (1,220)	<b>P</b> 1'9" (540)
<b>G</b> 9'-9'4" (2,750-2,850)	<b>Q</b> 1'1" (330)
<b>H</b> 6'5"-6'9" (1,950-2,050)	<b>R</b> 6'-9" (140-220)
<b>I</b> 3'10" (1,180)	<b>S</b> 2'5" (725)
<b>J</b> 7'3"-7'7" (2,200-2,300)	

## Specifications

Model		SV08-1D	
<b>Operating Weight</b>	Rubber track	lbs (t)	2,348 (1.07)
<b>Engine</b>	Type	-	Water-cooled 2-cylinder diesel
	Model	-	402F-05 EG84548R
	Output	HP (kW)/rpm	10.3 (7.7) / 2,800
<b>Performance</b>	Max Digging Force, Bucket / Arm	lbs (kN)	2,360 (10.5) / 1,390 (6.2)
	Traveling Speed	MPH (km / h)	1.12 (1.8)
	Swing Speed	RPM	8.4
	Boom Swing Angle, (L / R)	degrees	45°/90°
<b>Ground Contact Pressure (Rubber Track)</b>		PSI (kPa)	4.15 (28.4)
<b>Hydraulic System</b>	Pump Capacity	GPM (L / min)	5.2 (19.7)
	Main Relief Set Pressure	PSI (MPa)	2,625 (18.1) x 2
<b>Blade Dimensions</b>	Width x height	ft-in (mm)	2'3" / 2'9" x 7" (680 / 840 x 180)
<b>Fuel tank capacity</b>		Gals (L)	2.6 (10)

## Standard Equipment

- Blade
- Boom Swing Function
- Rubber Tracks
- Retractable Undercarriage
- Arm End Auxiliary Valve
- Double Acting PTO
- 2-way Pattern Control
- Cylinder Rod Guards (boom, blade)
- Foldable ROPS
- Standard Seat
- Seat Belt
- Operation Manual
- Engine Warming Indicator

Please note that the standard equipment may vary from this list. Consult your YANMAR dealer for confirmation.

## Hydraulic PTO

Model	SV08-1D	
	Output	PSI (MPa)
Specification		GPM (L / min)
		2,800RPM
<b>Combined Flow, Double Actions</b>	2,625 (18.1)	5.2 (19.7)

## Lifting Capacity

LIFT POINT HEIGHT h:in (mm)	r:REACH in (mm)											
	RATED LIFT CAPACITY OVER END BLADE DOWN				RATED LIFT CAPACITY OVER END BLADE UP				RATED LIFT CAPACITY OVER SIDE BLADE DOWN			
	lbs (kg)				lbs (kg)				lbs (kg)			
	MAX	6'7" (2,000)	4'11" (1,500)	MIN	MAX	6'7" (2,000)	4'11" (1,500)	MIN	MAX	6'7" (2,000)	4'11" (1,500)	MIN
6'7" (2,000)	485(220)				419(190)				353(160)			
4'11" (1,500)	485(220)	485(220)	595(270)		331(150)	375(170)	529(240)		265(120)	331(150)	441(200)	
3'3" (500)	507(230)	573(260)	772(350)	1,080(490)	287(130)	375(170)	617(280)	838(380)	243(110)	309(140)	507(230)	662(300)
1'8" (500)	529(240)	662(300)	1,036(470)	1,301(590)	287(130)	375(170)	573(260)	706(320)	221(100)	287(130)	463(210)	573(260)
Ground (0)	529(240)	706(320)	1,058(480)	1,389(630)	309(140)	375(170)	573(260)	750(340)	243(110)	287(130)	463(210)	595(270)
-1'8" (-500)	573(260)	617(280)	948(430)		375(170)	353(160)	595(270)		287(130)	287(130)	463(210)	
-3'3" (-1,000)	507(230)				507(230)				463(210)			